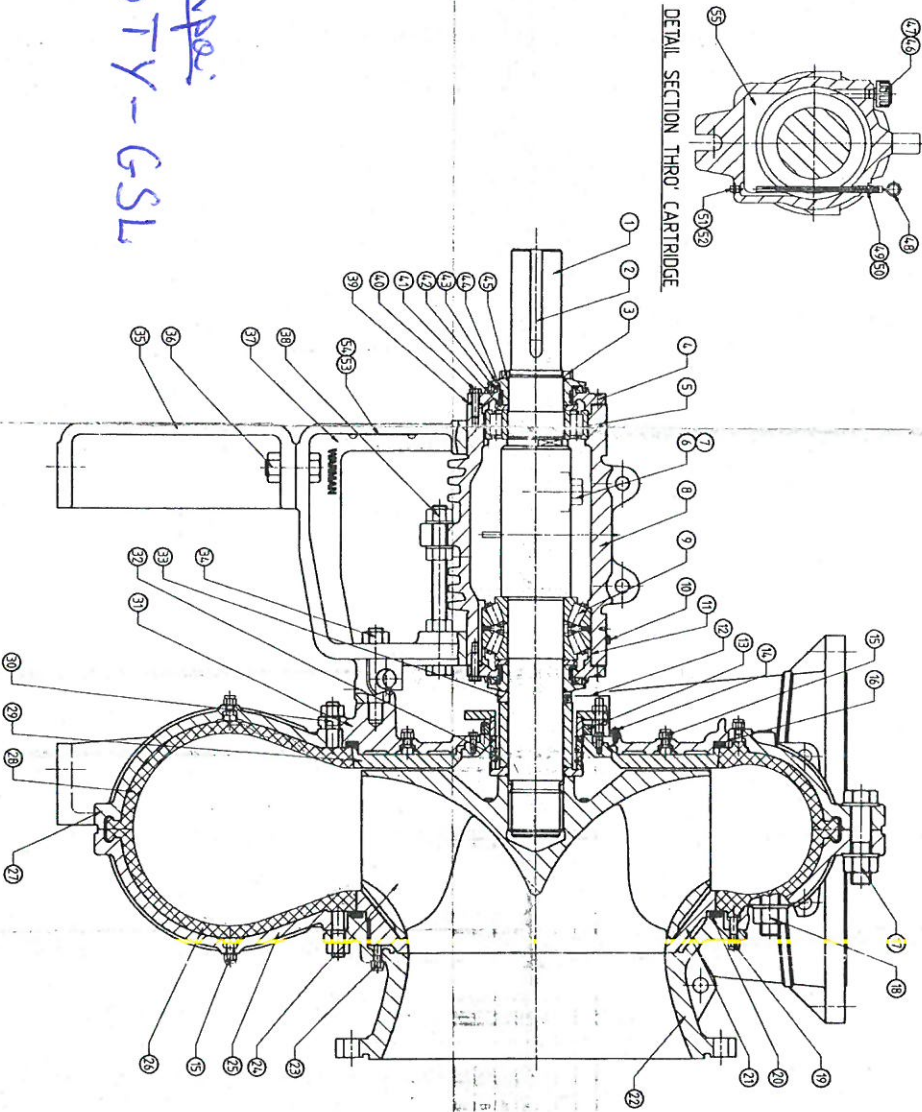


Pompe
800TY-GSL

ITEMTY	DESCRIPTION	PART No.	ITEMTY	DESCRIPTION	PART No.	ITEMTY	DESCRIPTION	PART No.
51	DRAIN PLUG	PO716-K11	41	FLINGER	TYGSM14-E02	1	SHAFT	TYGSM073-E05
52	DRAIN PLUG O' RING	2672WH17	42	GRIT SEAL	1396-S10	2	SHAFT KEY	T010-E05
53	NAMEPLATE		43	LABYRINTH	TYGSM062-070	3	LABYRINTH LOCKNUT	T061-K23
54	NAMEPLATE RIVET		44	PISTON RING	T008-002	4	END COVER	TYGSM024-020
55	7/2 LITRES OF OIL		45	LABYRINTH/SHAFT SLEEVE O' RING	43722-S10	5	BEARING (DRIVE END)	T090
56			46	BREATHER	TY311	6	CLAMP BOLT	T07M-E02
57			47	REDUCING BUSH	WPI025-06	7	CLAMP WASHER	T01H-E02
58			48	DEPSTICK	1392-K11	8	BEARING HOUSING	TYGSM014-020
59			49	DEPSTICK HOUSING	1393-K11	9	BEARING	T009
60			50	HOUSING O' RING	2671WH11	10	PLUG	WPI01-E
						11	BEARING SLEEVE	T006-E02
						12	SPLASH GUARD	TGSL0070/87753-C23
						13	BORG WARNER MECHANICAL SEAL	RS-9590-9EX/AMR7
						14	SPLASH GUARD STUD	M123-253C
						15	LINER STUDS	M2023-602X
						16	FRAME PLATE LINER SEAL	TGSL00075-S01
						17	COVER PLATE BOLTS	TGSL00075-E05
						18	CUTWATER BOLT	TGSL00075A-E05
						19	LINER STUDS	M2023-702X
						20	SUCTION COVER SEAL	TGSL00124-S01
						21	THROATBUSH	TGSL00080P11-A49
						22	SUCTION COVER	TGSL00190-R26
						23	THROATBUSH STUD	M2023-902X
						24	IMPELLER	TGSL00014/09125-A49
						25	COVER PLATE	TGSL00075-021
						26	COVER PLATE LINER	TGSL00075-R26
						27	FRAME PLATE	TGSL00032-021
						28	FRAME PLATE LINER	TGSL00014-R26
						29	FRAME PLATE LINER INSERT	M3623-002C
						30	STUD	TGSL00080-021
						31	FRAME PLATE ADAPTOR	TGSL00080-021
						32	SHAFT SLEEVE	T002 8775 / 55
						33	FRAME PLATE ADAPTOR STUD	M423-2202C
						34	IMPELLER RELEASE COLLAR	T23PM-C21
						35	PEDESTAL	TGSL00075-021
						36	PEDESTAL BOL	M46H1-102N
						37	BASE	TGSM003-020
						38	ADJUSTING SCREW	T001-M6G5
						39	END COVER GASKET	T075-S14
						40	END COVER SETSCREW	T027M-E70

DETAIL SECTION THRO' CARTRIDGE



PRZEDSIĘBIĘSTWO PAŃSTWOWE ELEKTROWNIA Im. T. KOSCIUSZKI